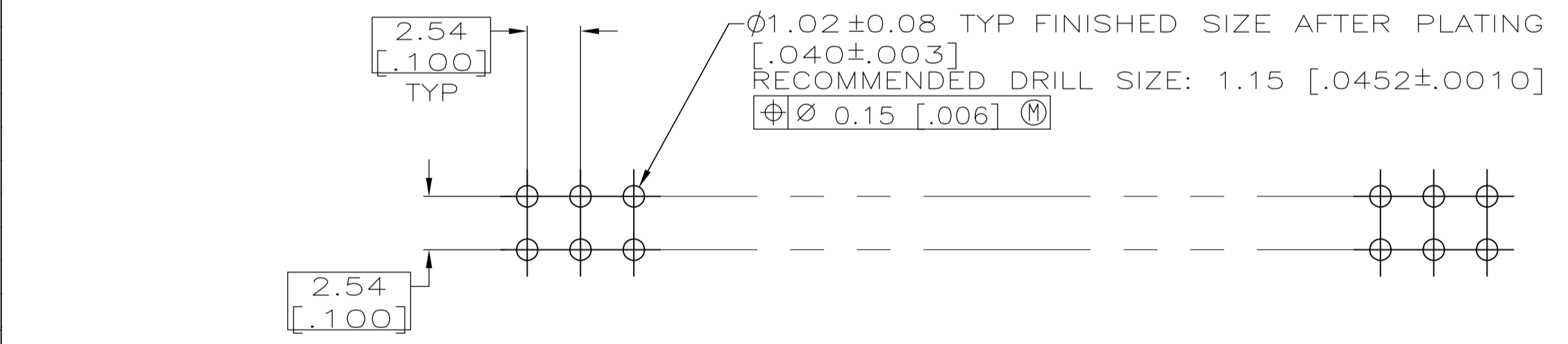


SECTION Z-Z
ROTATED 90° CW

OBSOLETE



RECOMMENDED MOUNTING HOLE LAYOUT

- ① HOUSING: FLAME RETARDANT THERMOPLASTIC; COLOR: BLACK.
- ② POST: COPPER ALLOY.
- ③ POST FINISH: 0.00076 [.000030] GOLD IN AREA G, 0.00254-0.00508 [.000100-.000200] BRIGHT TIN-LEAD IN AREA H, ALL OVER 0.00127 [.000050] NICKEL.
- ④ POINT OF MEASUREMENT FOR PLATING THICKNESS.
- ⑤ RECESSED DATE CODE.
- 6. CSA LOGO HOT STAMPED WHITE ON HOUSING.
- ⑥ BOARD RETENTION WHERE INDICATED.
- ⑧ PRELIMINARY PART - NOT RELEASED FOR PRODUCTION
- ⑨ POST FINISH: 0.00076 [.000030] GOLD IN AREA G, 0.00254-0.00508 [.000100-.000200] MATTE TIN IN AREA H, ALL OVER 0.00127 [.000050] NICKEL.
- ⑩ ROHS 2002/95/EC COMPLIANT
- ⑪ OBSOLETE PARTS: OBSOLETE CIS STREAMLINING PER D.RENAUD/D.SINISI

1, 4	1, 4	19.81 [.780]	17.02 [.670]	17.78 [.700]	3	8	⑩ ⑪	7-534978-1
1,3	1,3	17.27 [.680]	14.48 [.570]	15.24 [.600]	2	6	⑩ ⑪	7-534978-0
2,22,43,64	2,22,43,64	174.75 [6.880]	171.96 [6.770]	172.72 [6.800]	64	130	⑩ ⑪	6-534978-9
2,17,33,39	2,17,33,39	136.65 [5.380]	133.86 [5.270]	134.62 [5.300]	49	100	⑩ ⑪	6-534978-8
2, 24, 47	2, 24, 47	131.57 [5.180]	128.78 [5.070]	129.54 [5.100]	47	96	⑩ ⑪	6-534978-7
2, 3, 4	2, 3, 4	24.89 [9.80]	22.10 [8.70]	22.86 [9.00]	5	12	⑩ ⑪	6-534978-6
2, 18, 34	2, 18, 34	98.55 [3.880]	95.76 [3.770]	96.52 [3.800]	34	70	⑩	6-534978-5
2, 23, 47, 69	2, 23, 47, 69	162.05 [6.380]	159.26 [6.270]	160.02 [6.300]	69	140	⑩ ⑪	6-534978-4
2, 20, 40, 59	2, 20, 40, 59	162.05 [6.380]	159.26 [6.270]	160.02 [6.300]	59	120	⑩ ⑪	6-534978-3
2, 18, 37, 54	2, 18, 37, 54	149.35 [5.880]	146.56 [5.770]	147.32 [5.800]	54	110	⑩	6-534978-2
2, 20, 39	2, 20, 39	111.25 [4.380]	108.46 [4.270]	109.22 [4.300]	39	80	⑩	6-534978-1
2, 18, 35	2, 18, 35	101.09 [3.980]	98.30 [3.870]	99.06 [3.900]	35	72	⑩	6-534978-0
2, 15, 29	2, 15, 29	85.85 [3.380]	83.06 [3.270]	83.82 [3.300]	29	60	⑩	5-534978-9
8, 13, 18	8, 13, 18	73.15 [2.880]	70.36 [2.770]	71.12 [2.800]	24	50	⑩	5-534978-8
5, 10, 15	5, 10, 15	60.45 [2.380]	57.66 [2.270]	58.42 [2.300]	19	40	⑩	5-534978-7
4, 9, 14	4, 9, 14	55.37 [2.180]	52.58 [2.070]	53.34 [2.100]	17	36	⑩	5-534978-6
3, 8, 13	3, 8, 13	47.75 [1.880]	44.96 [1.770]	45.72 [1.800]	14	30	⑩	5-534978-5
5, 6, 7	5, 6, 7	40.13 [1.580]	37.34 [1.470]	38.10 [1.500]	11	24	⑩	5-534978-4
4, 5, 6	4, 5, 6	35.05 [1.380]	32.26 [1.270]	33.02 [1.300]	9	20	⑩	5-534978-3
3, 4, 5	3, 4, 5	29.97 [1.180]	27.18 [1.070]	27.94 [1.100]	7	16	⑩	5-534978-2
2, 33, 67, 99	2, 33, 67, 99	263.65 [10.380]	260.86 [10.270]	261.62 [10.300]	99	200	⑪	5-534978-1
1, 4	1, 4	19.81 [.780]	17.02 [.670]	17.78 [.700]	3	8		2-534978-1
1,3	1,3	17.27 [.680]	14.48 [.570]	15.24 [.600]	2	6		2-534978-0
2,22,43,64	2,22,43,64	174.75 [6.880]	171.96 [6.770]	172.72 [6.800]	64	130	⑪	1-534978-9
2,17,33,39	2,17,33,39	136.65 [5.380]	133.86 [5.270]	134.62 [5.300]	49	100	⑪	1-534978-8
2, 24, 47	2, 24, 47	131.57 [5.180]	128.78 [5.070]	129.54 [5.100]	47	96	⑪	1-534978-7
2, 3, 4	2, 3, 4	24.89 [9.80]	22.10 [8.70]	22.86 [9.00]	5	12	⑪	1-534978-6
2, 18, 34	2, 18, 34	98.55 [3.880]	95.76 [3.770]	96.52 [3.800]	34	70		1-534978-5
2, 23, 47, 69	2, 23, 47, 69	162.05 [6.380]	159.26 [6.270]	160.02 [6.300]	69	140		1-534978-4
2, 20, 40, 59	2, 20, 40, 59	162.05 [6.380]	159.26 [6.270]	160.02 [6.300]	59	120	⑪	1-534978-3
2, 18, 37, 54	2, 18, 37, 54	149.35 [5.880]	146.56 [5.770]	147.32 [5.800]	54	110	⑪	1-534978-2
2, 20, 39	2, 20, 39	111.25 [4.380]	108.46 [4.270]	109.22 [4.300]	39	80		1-534978-1
2, 18, 35	2, 18, 35	101.09 [3.980]	98.30 [3.870]	99.06 [3.900]	35	72		1-534978-0
2, 15, 29	2, 15, 29	85.85 [3.380]	83.06 [3.270]	83.82 [3.300]	29	60		534978-9
8, 13, 18	8, 13, 18	73.15 [2.880]	70.36 [2.770]	71.12 [2.800]	24	50		534978-8
5, 10, 15	5, 10, 15	60.45 [2.380]	57.66 [2.270]	58.42 [2.300]	19	40		534978-7
4, 9, 14	4, 9, 14	55.37 [2.180]	52.58 [2.070]	53.34 [2.100]	17	36		534978-6
3, 8, 13	3, 8, 13	47.75 [1.880]	44.96 [1.770]	45.72 [1.800]	14	30		534978-5
5, 6, 7	5, 6, 7	40.13 [1.580]	37.34 [1.470]	38.10 [1.500]	11	24		534978-4
4, 5, 6	4, 5, 6	35.05 [1.380]	32.26 [1.270]	33.02 [1.300]	9	20		534978-3
3, 4, 5	3, 4, 5	29.97 [1.180]	27.18 [1.070]	27.94 [1.100]	7	16		534978-2
2, 33, 67, 99	2, 33, 67, 99	263.65 [10.380]	260.86 [10.270]	261.62 [10.300]	99	200	⑪	534978-1
FINISH	ROW M	ROW N						
	BOARD RETENTION LOCATION		K	J	B	A	NO OF POSN	PART NUMBER

THIS DRAWING IS A CONTROLLED DOCUMENT. DIN 4/8/91
 K.L.CLOUSER/UTA 6/19/91
 D SARVER

DIMENSIONS: INCHES	TOLERANCES UNLESS OTHERWISE SPECIFIED:	PRODUCT SPEC	NAME
0 PLC ± -	± -		
1 PLC ± .01	± .01		
2 PLC ± .015	± 0.13 [.006]		
3 PLC ± .02			
4 PLC ± .03			
ANGLES			

APVD: D SARVER

TYCO ELECTRONICS CORPORATION
 Harrisburg, PA 17105-3608

PRODUCT SPEC: HEADER ASSY, MOD II, DOUBLE ROW, 2.54 X 2.54 [.100 X .100] CL.
 APPLICATION SPEC: 0.64 [.025] SQUARE POST, BOARD RETENTION FEATURE

SIZE: A1
 CAGE CODE: 00779
 DRAWING NO: 534978
 RESTRICTED TO: -

WEIGHT: -
 CUSTOMER DRAWING: -
 SCALE: 4:1
 SHEET: 1 of 1
 REV: N3